

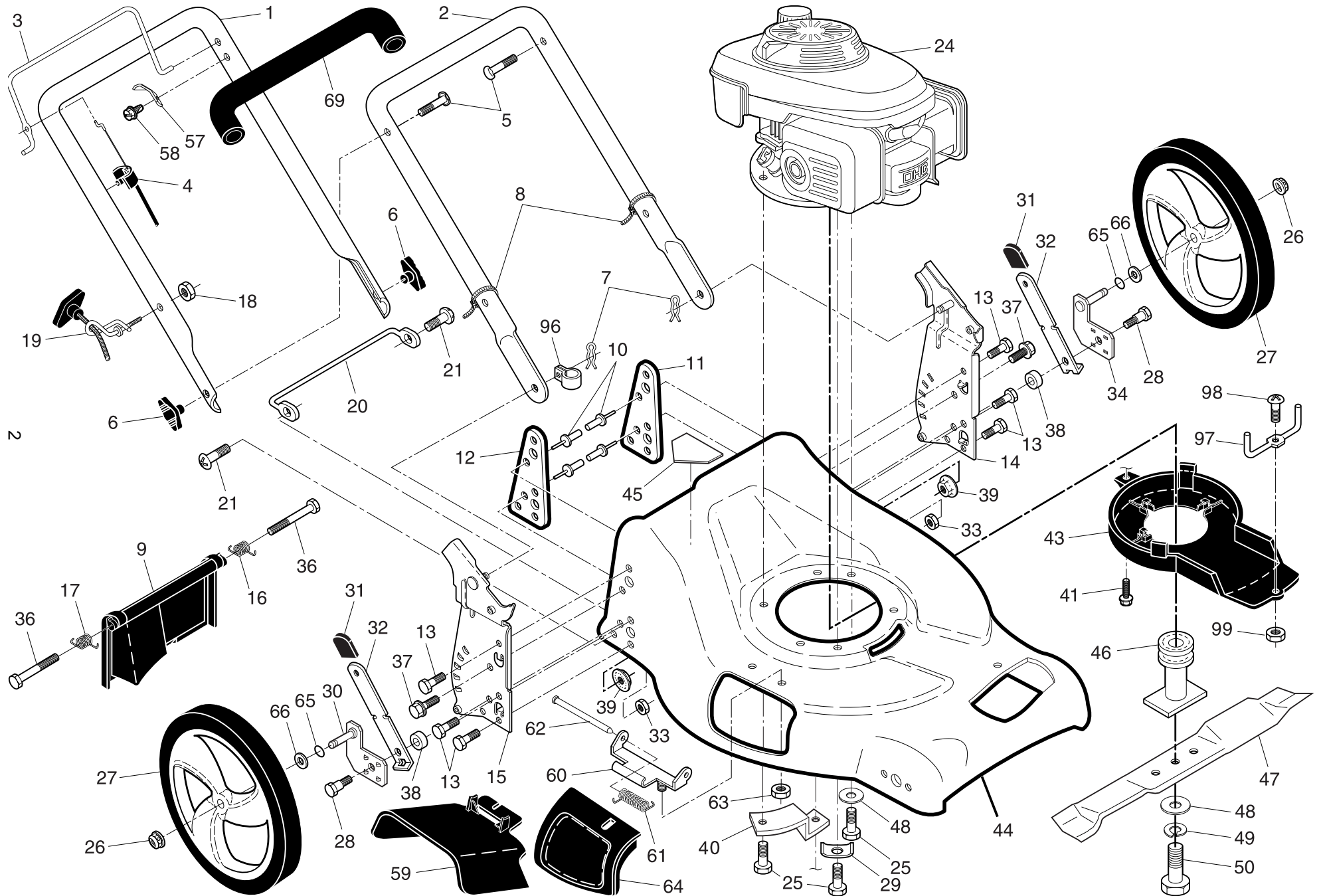
ILLUSTRATED PARTS LIST

MODEL NUMBER M65H53SD

PRODUCT NUMBER 961 41 01-15

MFG. ID. NUMBER 96141011501

ROTARY LAWN MOWER - - MODEL NUMBER M65H53SD (96141011501) PRODUCT NUMBER 961 41 01-15



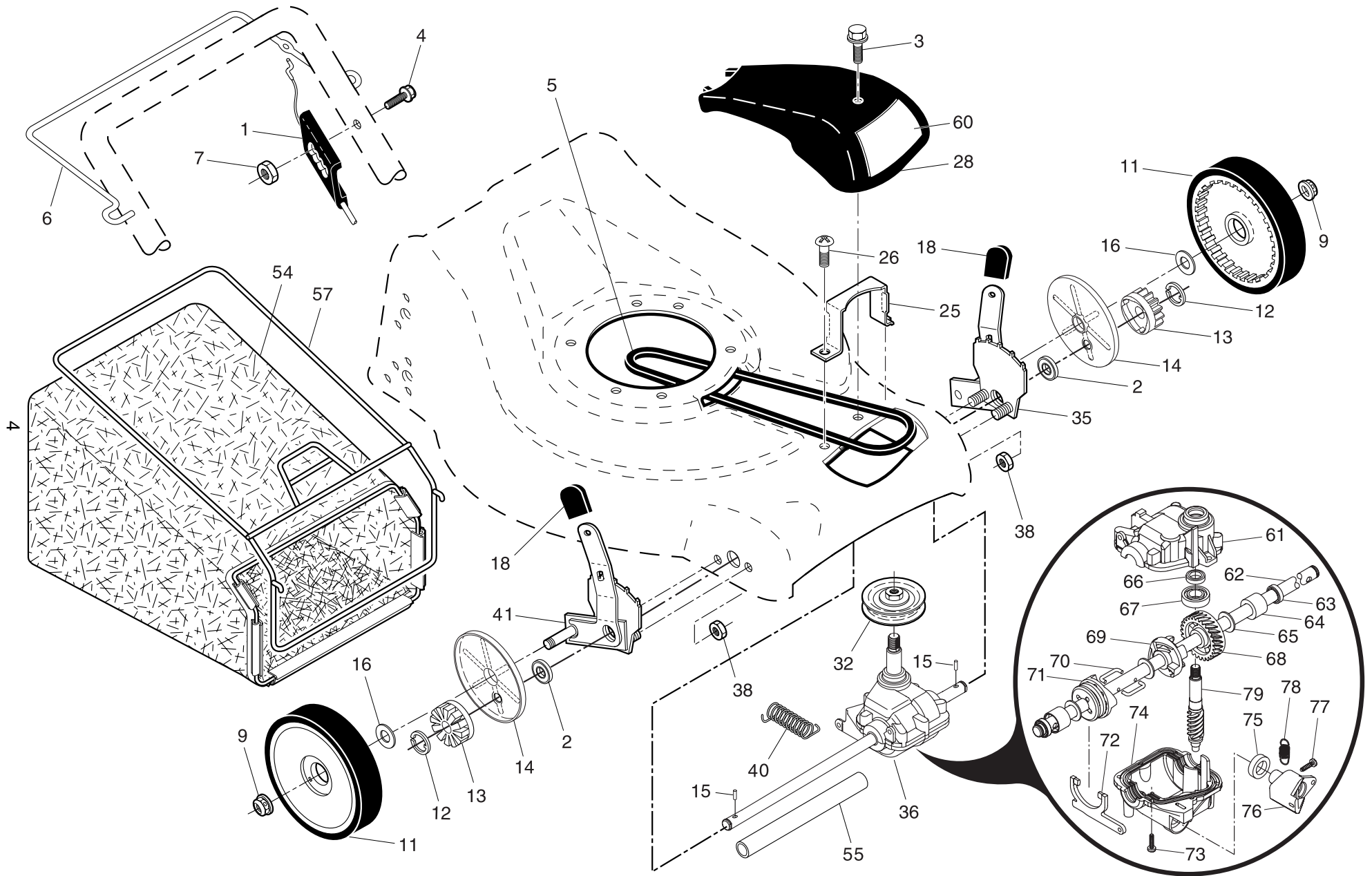
ROTARY LAWN MOWER - - MODEL NUMBER M65H53SD (96141011501) PRODUCT NUMBER 961 41 01-15

KEY NO.	PART NO.	DESCRIPTION	KEY NO.	PART NO.	DESCRIPTION
1	532 40 24-19	Upper Handle Assembly (Includes Foam Grip)	34	532 40 25-72	Axle Arm Assembly, Rear, LH
2	532 15 36-05	Lower Handle	36	532 18 41-93	Bolt
3	532 19 84-64	Control Bar	37	874 78 05-12	Thread Cutting Screw w/Sems 5/16-18 x 3/4
4	532 18 35-67	Engine Zone Control Cable	38	819 11 22-06	Washer
5	532 19 15-74	Handle Bolt	39	532 19 85-41	Nut, Hex, Flanged
6	532 19 19-38	Handle Knob	40	532 19 09-39	Mounting Bracket, Debris Shield
7	532 05 17-93	Hairpin Cotter	41	532 19 23-25	Screw
8	532 06 64-26	Wire Tie	43	532 19 89-10	Debris Shield
9	532 40 69-85	Rear Door Assembly	44	532 40 92-65	Kit, Lawn Mower Housing (Includes Key Numbers 10, 11, 12 and 45)
10	532 12 84-15	Pop Rivet	45	532 18 21-66	Danger Decal
11	532 41 05-40	Support Bracket, LH	46	532 19 77-52	Blade Adapter
12	532 41 05-42	Support Bracket, RH	47	532 19 93-77	Blade, 21"
13	817 06 04-10	Screw 1/4-20 x 5/8	48	532 85 10-74	Hardened Washer
14	532 18 25-43	Handle Bracket Assembly, LH	49	532 85 02-63	Helical Washer 3/8-24 x 1-3/8 Grade 8
15	532 18 25-45	Handle Bracket Assembly, RH	50	532 85 10-84	Hex Head Machine Screw 3/8-24 x 1-3/8 Grade 8
16	532 40 54-17	Spring, Rear Door, LH	57	532 12 51-62	Upstop Bracket
17	532 40 54-18	Spring, Rear Door, RH	58	532 75 06-34	Screw
18	532 13 20-04	Keps Locknut 1/4-20	59	532 17 50-71	Discharge Deflector
19	532 19 47-88	Rope Guide	60	532 17 57-35	Hinge Bracket
20	532 17 92-05	Foot Guard, C.E.	61	532 19 30-00	Spring, Hinge
21	532 05 45-83	Screw, Tapping 1/4-20 x 1/2	62	532 17 56-50	Hinge Rod
24	---	Engine, Honda, Model Number GCV190 (order parts from engine manufacturer)	63	873 80 04-00	Nut, Hex
25	532 15 04-06	Hex Head Thread Rolling Screw 3/8-16 x 1-1/8	64	532 17 50-66	Mulcher Door
26	532 14 52-12	Hex Flange Nut	65	532 19 74-80	O-Ring
27	532 40 29-35	Wheel & Tire Assembly, Rear, 12"	66	532 08 83-48	Washer, Flat 1/2
28	532 16 08-28	Shoulder Bolt 5/16-18 x .33	69	532 18 63-62	Grip, Foam
29	532 12 50-78	Washer, Engine, Zinc Plated	96	532 19 79-91	Clip, Cable
30	532 40 25-71	Axle Arm Assembly, Rear, RH	97	532 19 71-62	Belt Keeper
31	532 08 78-77	Selector Knob	98	532 18 22-27	Screw
32	532 19 01-57	Selector Spring	99	532 18 22-28	Nut, Hex
33	873 80 05-00	Nut, Hex 5/16-18	--	532 18 21-34	Decal, Warning, Internal, Self-Propelled (not shown)
			--	532 40 24-05	Operator's Manual, European

NOTE: All component dimensions given in U.S. inches. 1 inch = 25.4 mm

IMPORTANT: Use only Original Equipment Manufacturer (O.E.M.) replacement parts. Failure to do so could be hazardous, damage your lawn mower and void your warranty.

ROTARY LAWN MOWER - - MODEL NUMBER M65H53SD (96141011501) PRODUCT NUMBER 961 41 01-15



ROTARY LAWN MOWER - - MODEL NUMBER M65H53SD (96141011501) PRODUCT NUMBER 961 41 01-15

KEY NO.	PART NO.	DESCRIPTION	KEY NO.	PART NO.	DESCRIPTION
1	532 40 01-61	Drive Control Assembly (Includes Cable)	41	532 40 90-98	Kit, Wheel Adjuster, RH (Includes Knob and Bearing)
2	532 19 10-39	Bearing, Wheel Adjuster	54	532 19 52-13	Grassbag Assembly
3	532 17 52-62	Pan Head Tapping Screw #10-24 x 2-3/4	55	532 17 57-39	Driveshaft Cover
4	532 19 96-87	Hex Washer Head Screw 1/4-20 x 2.12	57	532 40 18-02	Frame, Grassbag
5	532 19 68-53	V-Belt	60	532 41 03-62	Decal, Drive Cover
6	532 19 84-53	Control Bar, Drive	61	532 19 68-86	Case, Upper
7	532 19 17-30	Locknut, Hex #10-24	62	532 19 68-85	Shaft, Output
9	532 08 39-23	Locknut, Hex	63	532 18 35-08	Seal, Output Shaft
11	532 40 29-36	Wheel & Tire Assembly	64	532 18 35-11	Bushing
12	812 00 00-58	E-Ring	65	532 18 35-09	Washer
13	532 40 38-49	Pinion	66	532 18 35-14	Seal, Worm Shaft
14	532 18 94-03	Dust Cover	67	532 18 35-06	Bearing, Ball
15	532 19 10-17	Pawl, Drive	68	532 18 34-99	Gear, 27 Teeth
16	532 06 77-25	Washer 1/2 x 1-1/2 x .134	69	532 19 68-84	Fixed Dog Clutch
18	532 08 78-77	Selector Knob	70	532 18 35-05	Wireform
25	532 19 90-89	Belt Keeper	71	532 19 68-83	Movable Dog Clutch
26	532 15 00-78	Screw	72	532 19 68-82	Fork
28	532 18 14-67	Drive Cover	73	532 18 35-13	Screw, Case
32	532 19 40-18	Drive Pulley	74	532 19 68-81	Case, Lower
35	532 40 90-97	Kit, Wheel Adjuster, LH (Includes Knob and Bearing)	75	532 19 68-80	Seal, Lever
36	532 18 82-96	Gearcase Assembly, Complete	76	532 19 68-79	Lever
38	873 80 04-00	Locknut, Hex 1/4-20	77	532 19 68-78	Screw, Lever
40	532 19 28-49	Spring	78	532 19 68-77	Spring
			79	532 18 35-02	Shaft, Worm

NOTE: All component dimensions given in U.S. inches. 1 inch = 25.4 mm

IMPORTANT: Use only Original Equipment Manufacturer (O.E.M.) replacement parts. Failure to do so could be hazardous, damage your lawn mower and void your warranty.